

# ***HYPERFREEZE***™

High Speed Freezer Door

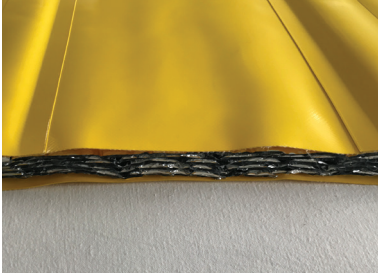
°C

**-30**

# HYPERFREEZE

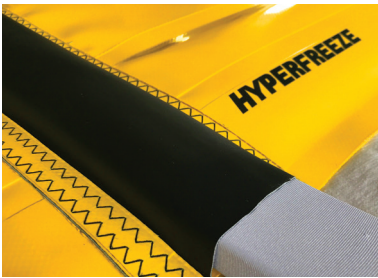
With our team of experts in the Refrigeration sector the AUTO MOSSA HYPER-FREEZE has been specifically developed for the extremes of Freezer Room Applications. Combining fast acting operation with a high level of insulation reduces the amount of heat and moisture ingress ensuring the room is kept as efficient, cool, and dry as possible. The heavy-duty curtain construction with our 'knock-out re-locate feature' insures down time and costly repairs are almost non-existent.

## IMPORTANT FEATURES



### Door Blade Insulation: 30mm or 40mm

The door blade insulation offers an overall U Value of 0.9 W/m<sup>2</sup>C making it one of the highest performing high speed freezer doors on the global market. It also enables the door to operate in extreme environments without the requirement for air movement fans.



### Patented AIRSTRIP

Designed to extend the life of the door, constructed from extruded rubber with reinforced webbing, ensures there is separation between the layers as it rolls up. The AIRSTRIP also allows the door to operate smoothly at speeds of 2m/s.

**AIRSTRIPII™**  
International Patent Pending



### Knock-out Function

The HYPERFREEZE is an impactable door that has a reliable built in crash function which allows the door blade to dislodge and then automatically re-align itself. The track system is free of problematic drive teeth which tend to wear overtime causing alignment and jamming issues.



# HYPERFREEZE SPECIFICATIONS

TEMP	-30°C
INSULATION	30mm
U-VALUE	0.9 W/m <sup>2</sup> C
SIZE	≤ 4.0W x 6.0H
SPEED	up to 2m/s
CRASH-OUT	YES
SOFT EDGE	YES



## Door Dimensions

Max width	4.0m
Min Width	1.5m
Max Height	6.0m
Min Height	2.0m

## Speeds

Speed Up ≤4.0m w x 4.0m h	2m/s
Speed Up ≤4.0m w x 6.0m h	2m/s
Speed Down	0.6m/s

## Door Blade Construction

900gsm	Standard
30mm insulation	Standard
40mm insulation	Optional
AirStrip™	Standard

## Door Components

Side Frames	Aluminum
Metal Components	Zinc plated
Fixings	Stainless
Top Roll	Aluminum
Double Top Seal	Standard
Full Hood Cover	Standard
Side Frame Heaters	Standard
Full Motor Cover	Standard

## Control and Drive

PLC and VSD	Standard
Encoder	Standard
Voltage ≤4.0m w x 4.0m h	240v
Voltage ≤4.0m w x 6.0m h	415v
Motor ≤4.0m w x 4.0m h	1.5kW
Motor ≤4.0m w x 6.0m h	2.2-3.0kW
Protection	IP65

## Safety

Two sets of thru-beam sensors	Standard
Soft Bottom Edge	Standard
Manual Op - Hand Crank	Standard

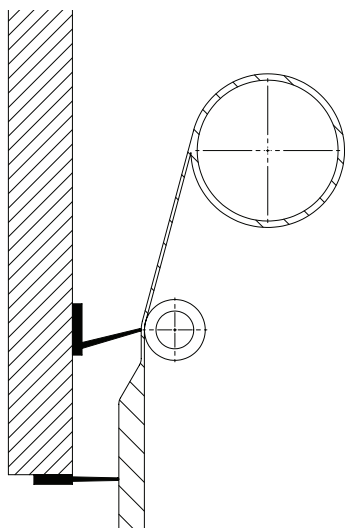
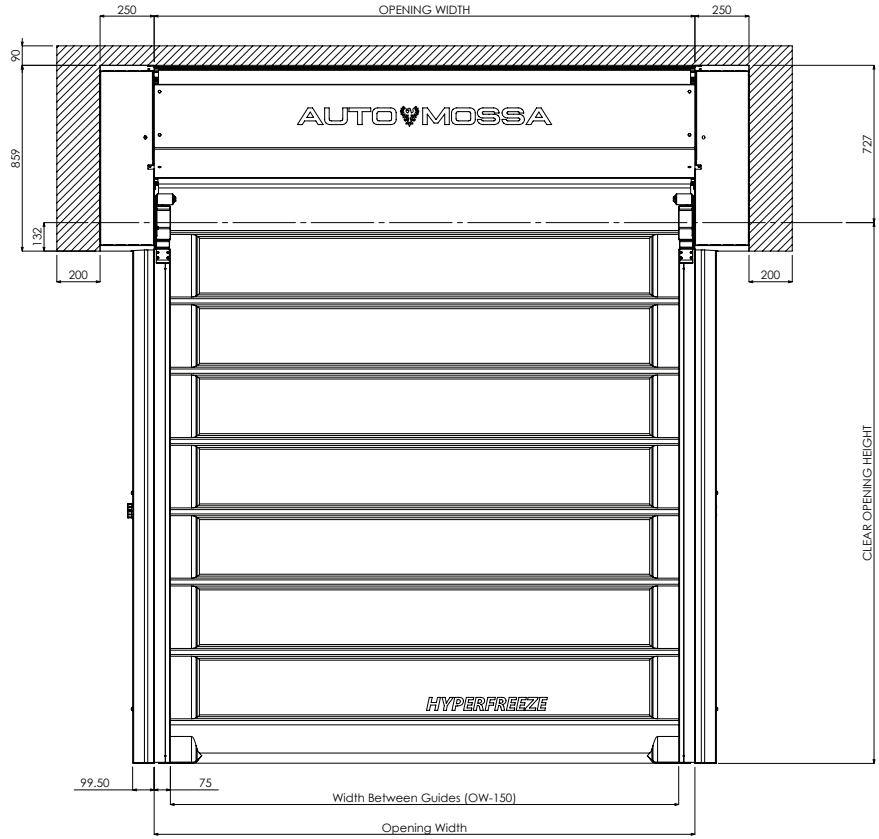
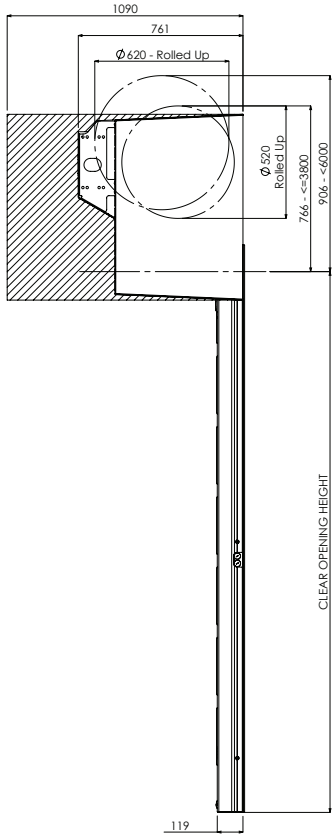
## Optional Equipment

Light Curtain	Optional
Wind Bars wind class 2	Optional
Manual Op - UPS	Optional
Integrated Warning Lights	Optional
SS Enclosure Grade 316	Optional
Defrost Ventilation	Optional
Curtain Bottom Edge Heater	Optional

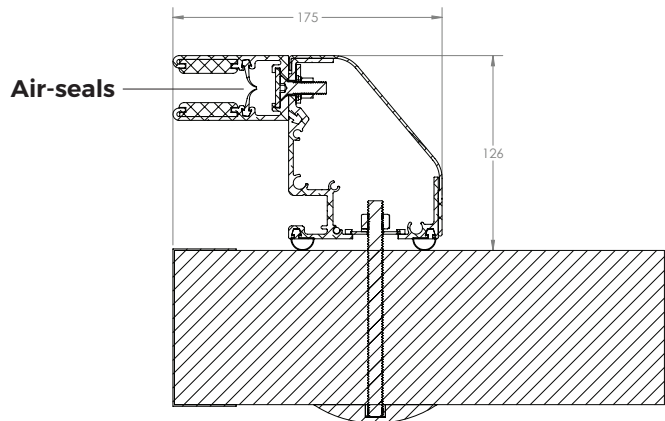
## NOTE:

Where applications are exposed to high relative humidity, consult directly with your AUTO MOSSA distributor.

# FEATURES AND DIMENSIONS

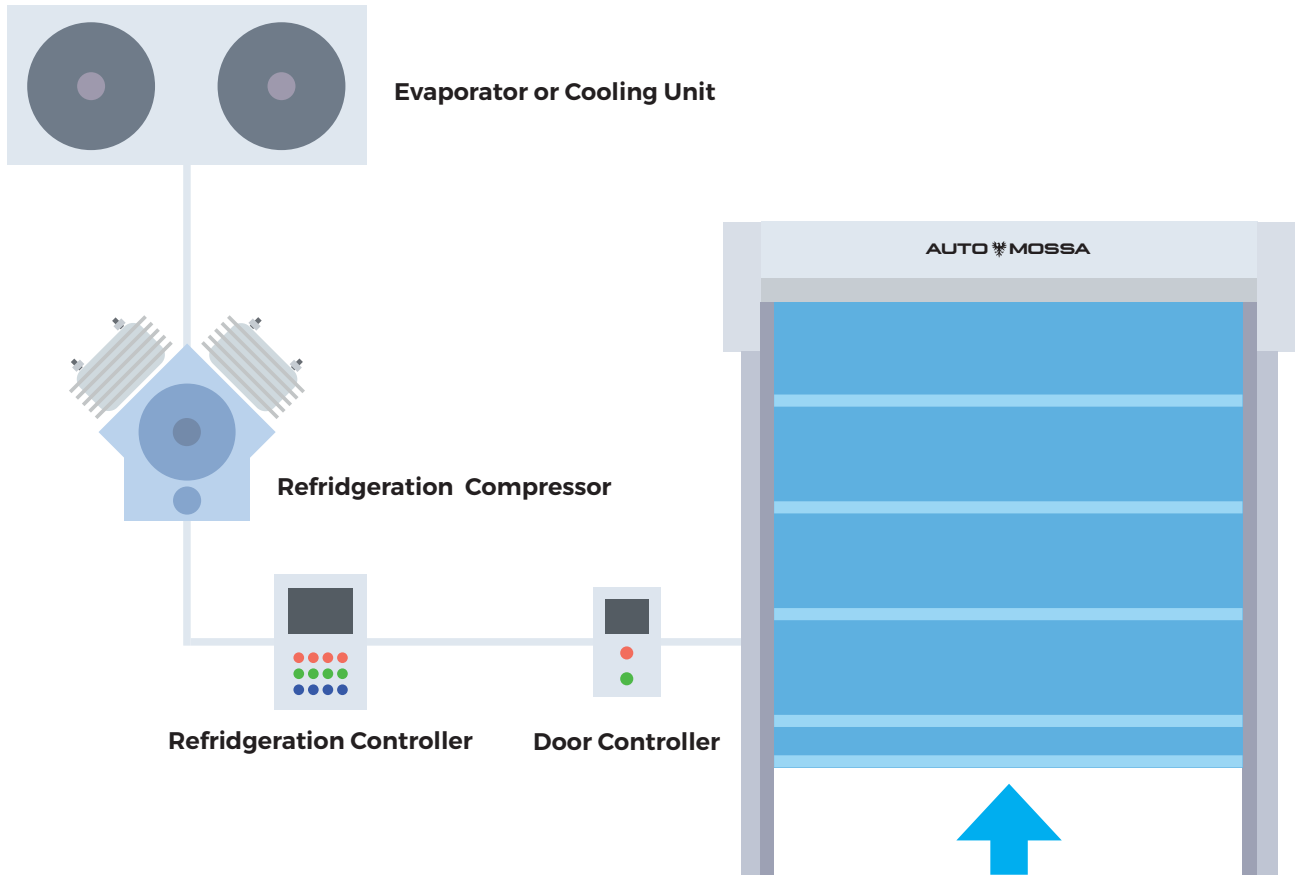


**Flexible double air-seal installed above opening**



**Required clearances from clear opening to allow door side frame installation**

# AUTO MOSSA 'PRESSURE EQUALISATION'



**During Pressurisation after Defrost, the Door Curtain Lifts Slightly To Equalise Internal and External Pressures**

In a number of freezer applications the porting of the freezer, for pressure release after defrost, is an estimation and therefore not an exact science. Consequently if the porting is insufficient for the size of the room, there is real potential for the room to lose its construction integrity over time. Over the life of the room there will be constant pressure as the room expands and then equalizes after every defrost. The HYPERFREEZE 'Pressure Equalization' feature allows a large area of air to escape quickly relieving any pressure buildup inside the freezer.

The height the door opens to is generally three feet and the time set for the door to stay open is usually 20 seconds. The height and time duration are adjustable to suit the application and room size.

**AUTO  MOSSA**  
MANUFACTURERS OF HIGH PERFORMANCE DOORS

---

**USA**

Ph: 206 413 6621  
26828 Maple Valley Hwy  
#224 Maple Valley  
WA 98038

**Australia**

Ph: +61 423 859 564  
info@automossa.com  
www.automossa.com  
Sydney, NSW  
Australia

**New Zealand**

Ph: 0800 667721  
info@automossa.com  
www.automossa.com  
Auckland  
New Zealand